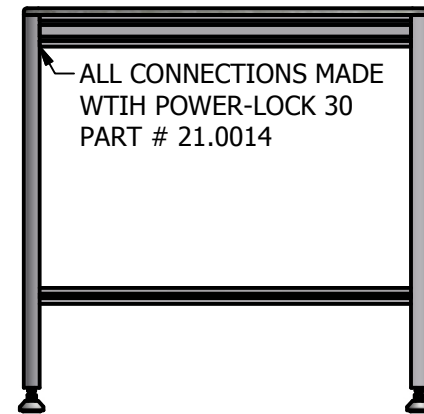
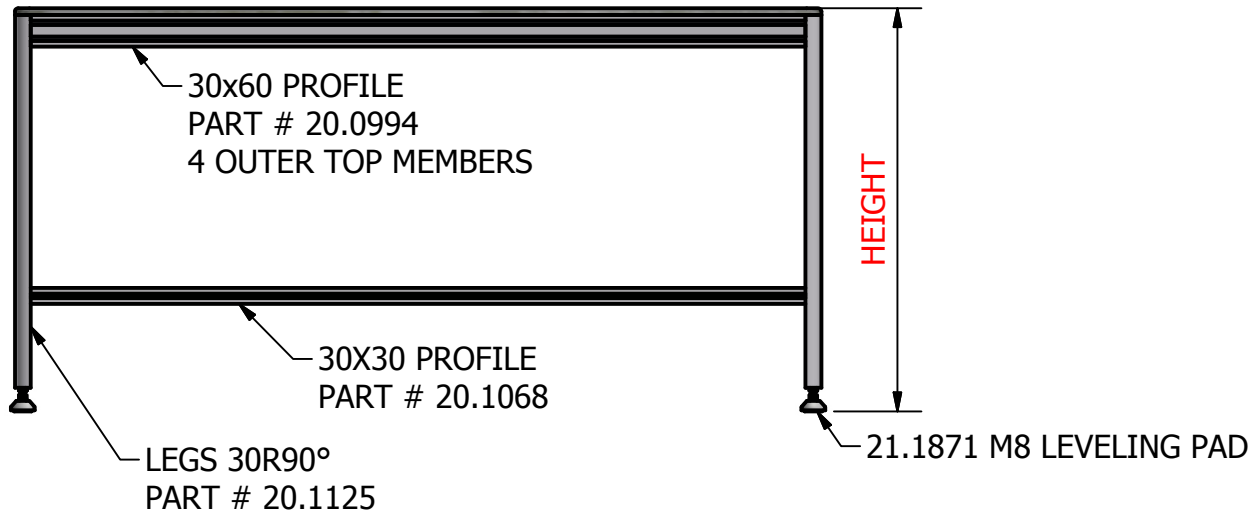


TABLE TOP 1/2" BLACK
UHMW POLYETHYLENE PLASTIC
OR SPECIFY

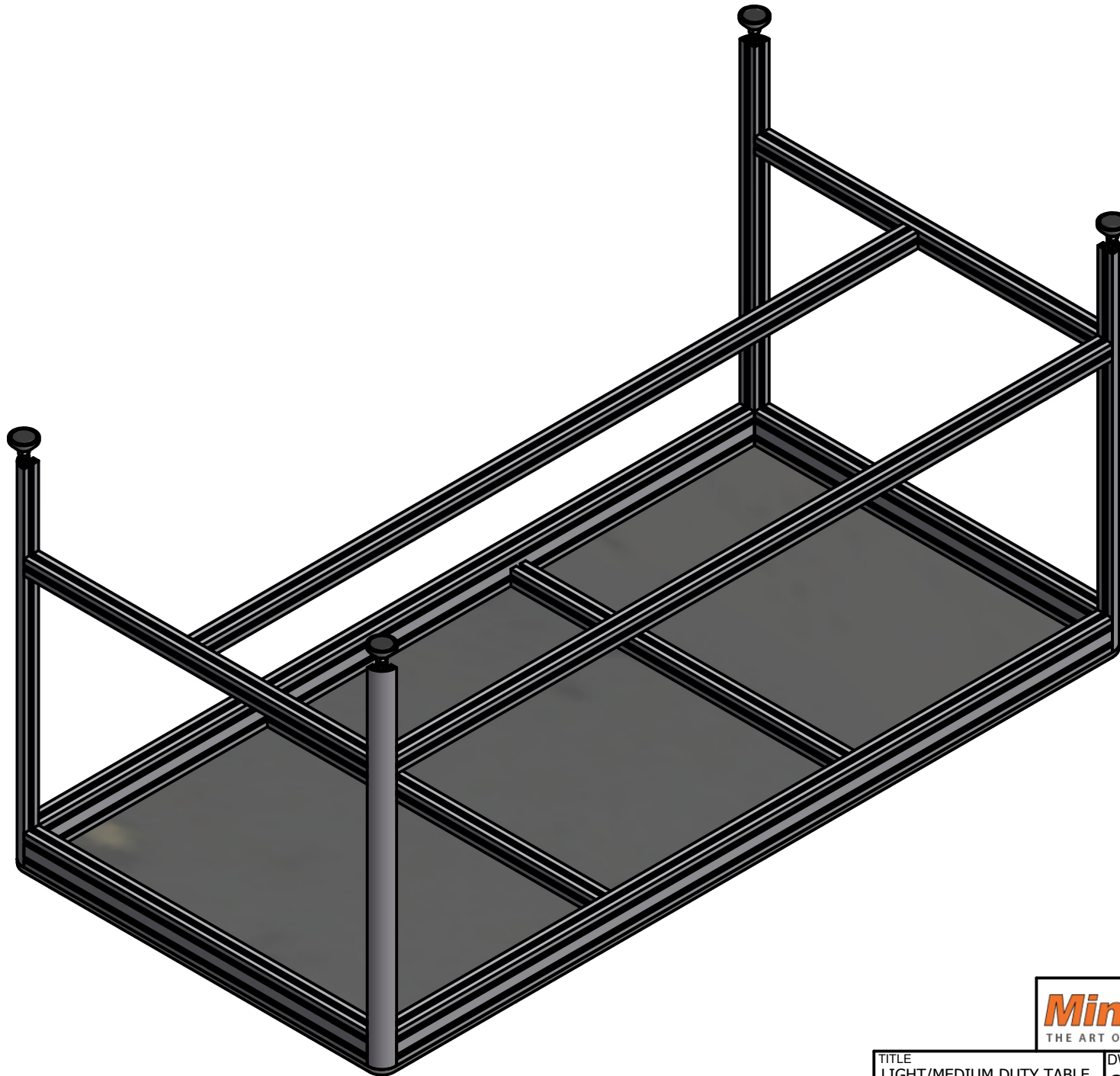


LOAD RATING DEPENDS ON SIZE &
TYPE OF USE. THIS DESIGN IS GENERALLY
FOR THE 100 - 300 POUND RANGE

MiniTec
THE ART OF SIMPLICITY

WWW.MINITECFRAMING.COM
VICTOR, NY
PH # 585 924-4690
DIRECT 585 398-1240 EXT 104
FX # 585 924-4821
amoles@minitecframing.com

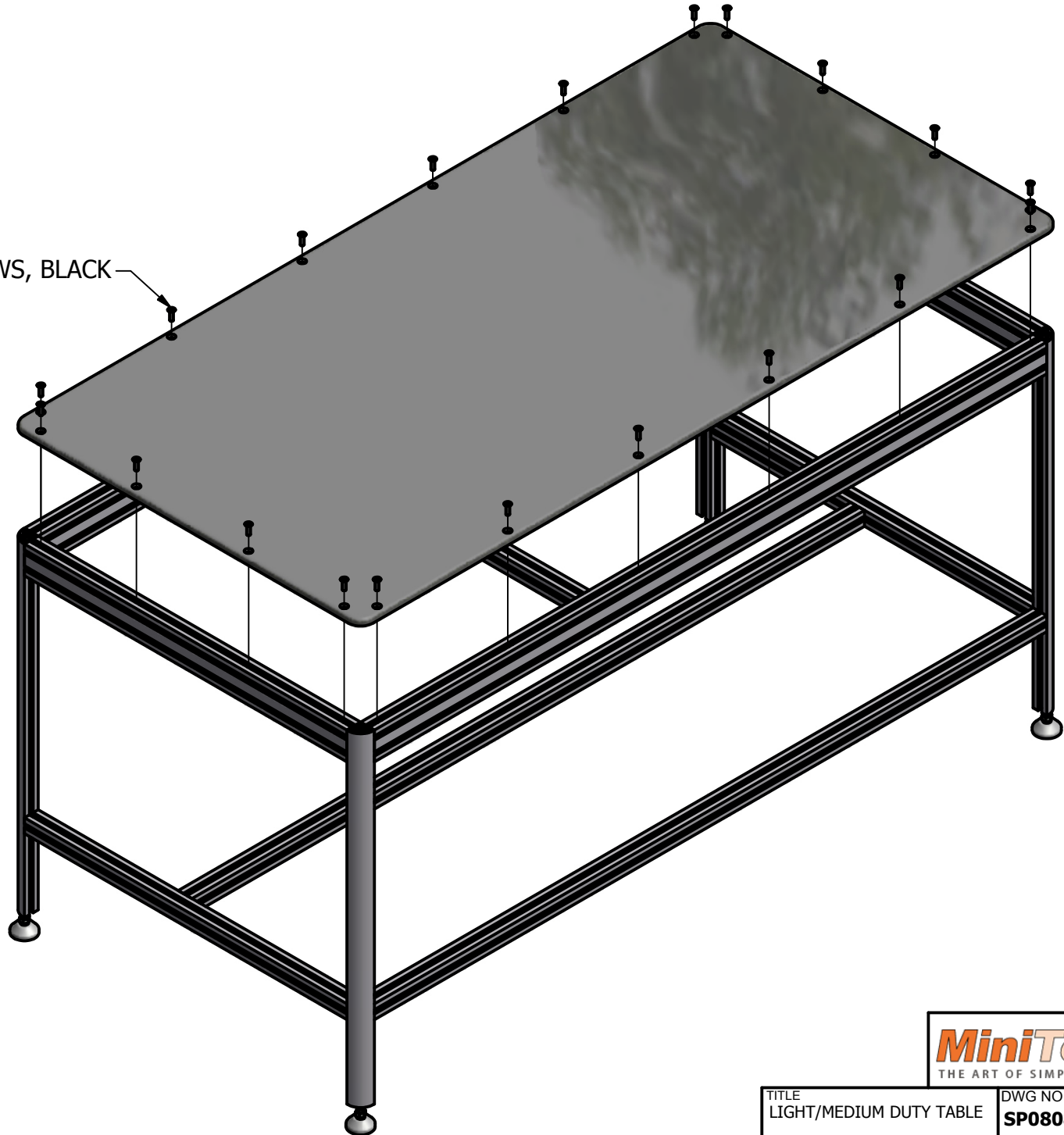
TITLE LIGHT/MEDIUM DUTY TABLE	DWG NO SP080812-1	REV
----------------------------------	-----------------------------	-----



WWW.MINITECFRAMING.COM
VICTOR, NY
MiniTec
THE ART OF SIMPLICITY
PH # 585 924-4690
DIRECT 585 398-1240 EXT 104
FX # 585 924-4821
amoles@minitecframing.com

TITLE LIGHT/MEDIUM DUTY TABLE	DWG NO SP080812-1	REV
----------------------------------	-----------------------------	-----

M6 C'SUNK SCREWS, BLACK



WWW.MINITECFRAMING.COM
VICTOR, NY
PH # 585 924-4690
DIRECT 585 398-1240 EXT 104
FX # 585 924-4821
amoles@minitecframing.com

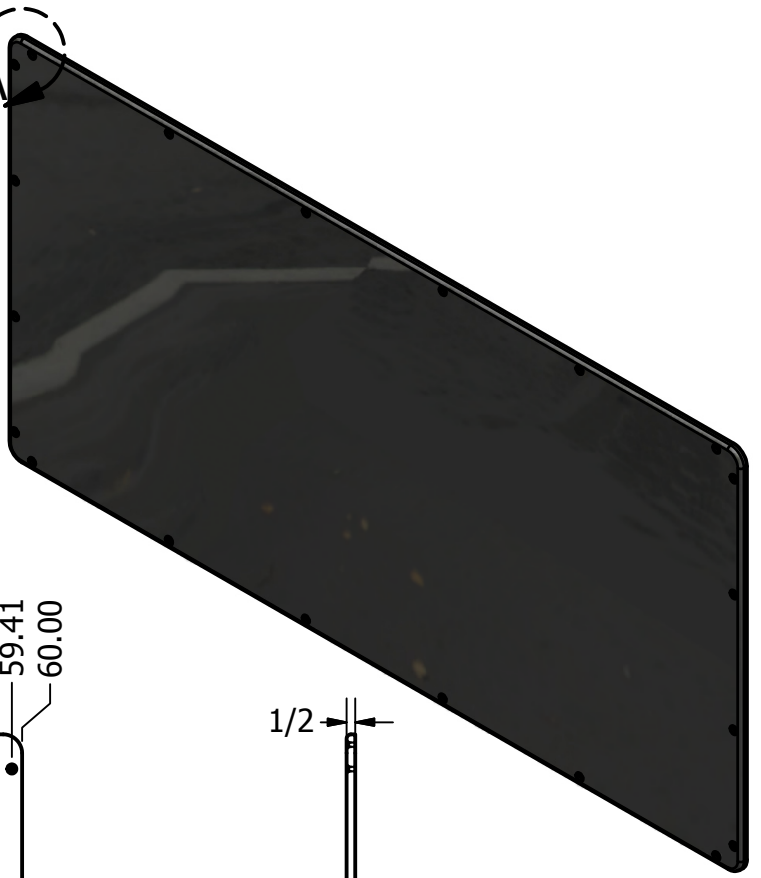
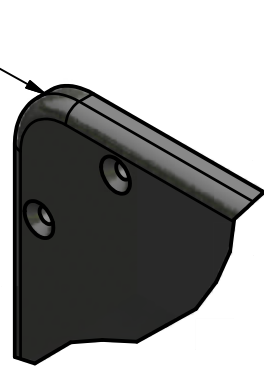
MiniTec
THE ART OF SIMPLICITY

TITLE
LIGHT/MEDIUM DUTY TABLE

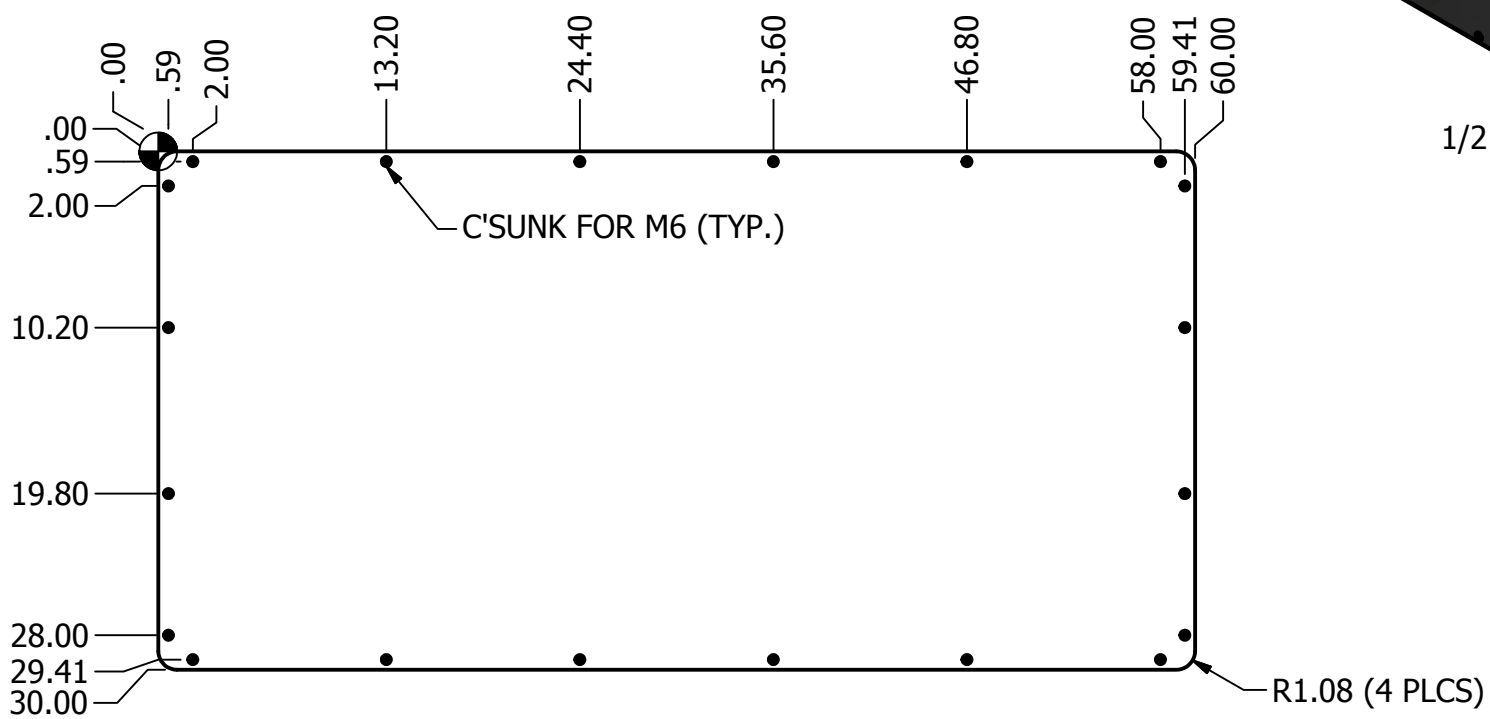
DWG NO
SP080812-1

REV

1/4" FILLET



EXAMPLE TOP FOR 30" X 60" TABLE



MiniTec
 THE ART OF SIMPLICITY
 WWW.MINITECFRAMING.COM
 VICTOR, NY
 PH # 585 924-4690
 DIRECT 585 398-1240 EXT 104
 FX # 585 924-4821
 amoles@minitecframing.com

TITLE LIGHT/MEDIUM DUTY TABLE	DWG NO SP080812-1-6	REV
----------------------------------	-------------------------------	-----